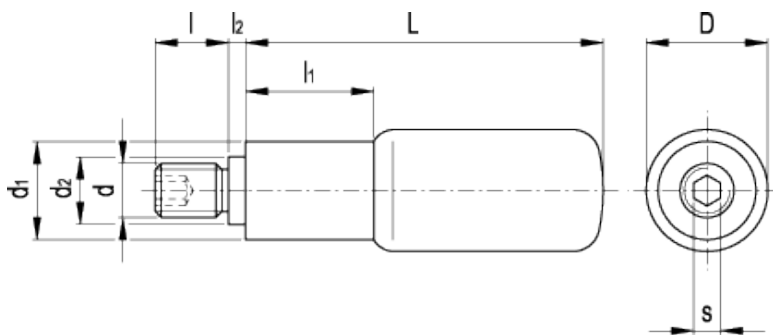


# GN 798

Two-volume revolving handles



## technical informations

### Material

Turned and mirror polished aluminium.

### Assembly

Zinc-plated steel shank, hexagon socket at threaded end.

### Ergonomy and design

The two-volume special design of this handle provides the operator's hand with a safe and ergonomic grip.

Standard Elements	Main dimensions						Threaded shank			Weight
Description	d <sub>1</sub>	d <sub>3</sub>	d <sub>4</sub>	l <sub>1</sub>	l <sub>3</sub>	l <sub>4</sub>	d <sub>2</sub>	l <sub>2</sub>	s	g
GN 798-AL-16-M6	16	10	13	41.5	2.5	15	M6	12	3	38
GN 798-KT-16-M6	16	10	13	41.5	2.5	15	M6	12	3	38
GN 798-AL-18-M6	18	10	14.5	56	2.5	19	M6	13	3	50
GN 798-KT-18-M6	18	10	14.5	56	2.5	19	M6	13	3	50
GN 798-AL-18-M8	18	10	14.5	56	2.5	19	M8	13	4	53
GN 798-KT-18-M8	18	10	14.5	56	2.5	19	M8	13	3	50

GN 798-AL-22-M6	22	14	18.5	59	2.5	21	M6	14	4	60
GN 798-KT-22-M6	22	14	18.5	59	2.5	21	M6	14	4	60
GN 798-AL-22-M8	22	14	18.5	59	2.5	21	M8	14	4	60
GN 798-KT-22-M8	22	14	18.5	59	2.5	21	M8	14	4	60
GN 798-AL-22-M10	22	14	18.5	59	2.5	21	M10	14	5	63
GN 798-KT-22-M10	22	14	18.5	59	2.5	21	M10	14	4	60
GN 798-AL-24-M8	24	14	18.5	74	2.5	27	M8	16	4	72
GN 798-KT-24-M8	24	14	18.5	74	2.5	27	M8	16	4	72
GN 798-AL-24-M10	24	14	18.5	74	2.5	27	M10	16	5	75
GN 798-KT-24-M10	24	14	18.5	74	2.5	27	M10	16	4	72
GN 798-AL-25-M10	25	16	20	84	2.5	30	M10	16	5	90
GN 798-KT-25-M10	25	16	20	84	2.5	30	M10	16	5	90



ELESA and GANTER models all rights reserved in accordance with the law. Always mention the source when reproducing our drawings.

**STANDARD MACHINE ELEMENTS WORLDWIDE**